

# Welcome to the **WEBRICK USER GUIDE**

---

Webrick offers alternative bricks and authorized MOC designer sets. This guide ensures a trouble-free installation.

The provided parts **do not include the minifigures, printed parts, and stickers mentioned in the instructions**. Webrick can make minor part adjustments based on inventory while prioritizing the preservation of the original design.

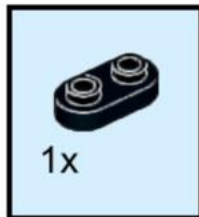
- Some pieces may have been replaced with new ones.
- Some parts may be removed.



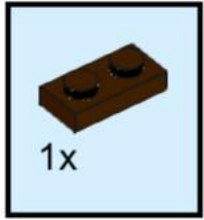
1



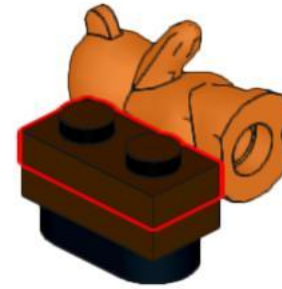
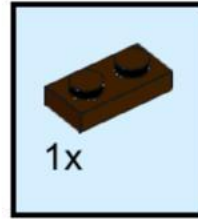
2



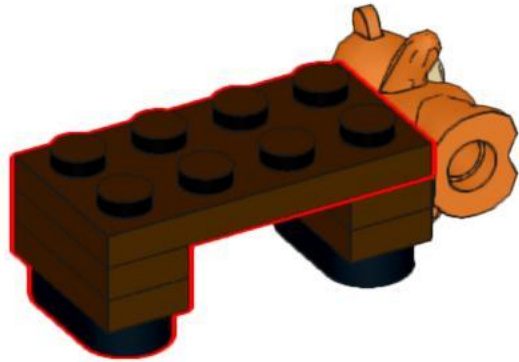
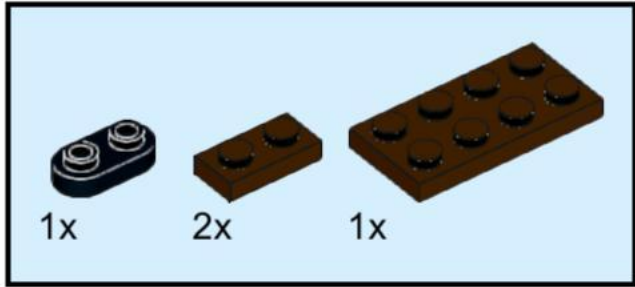
3



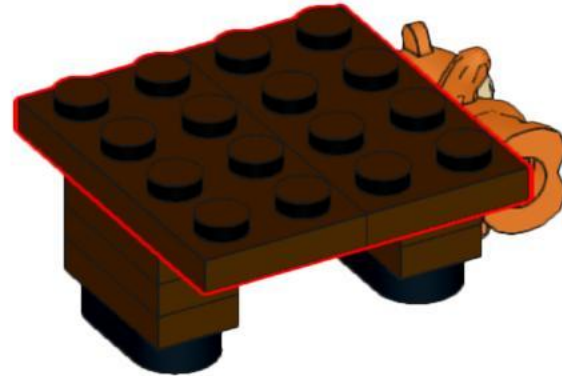
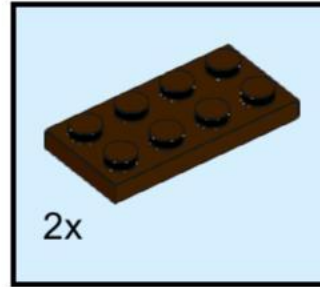
4



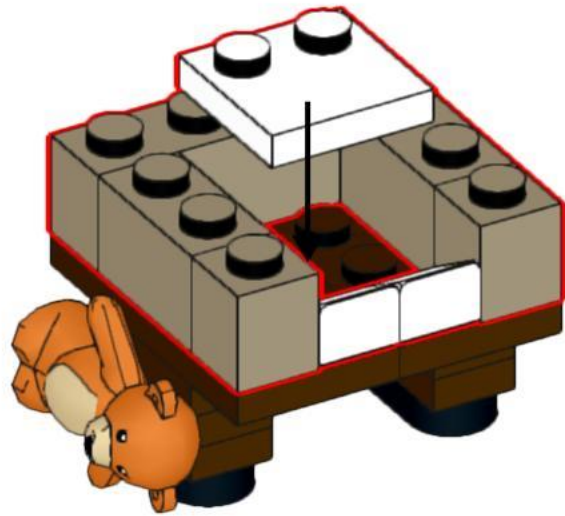
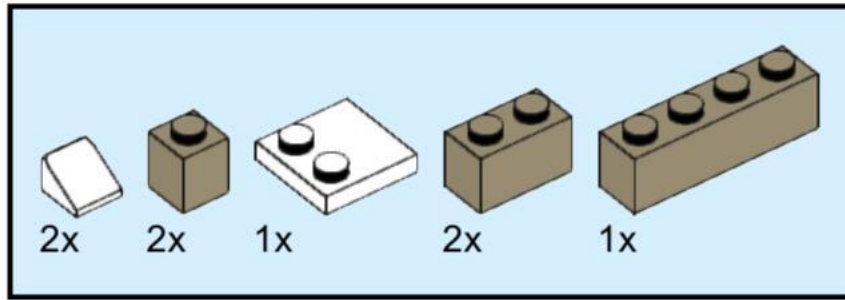
5



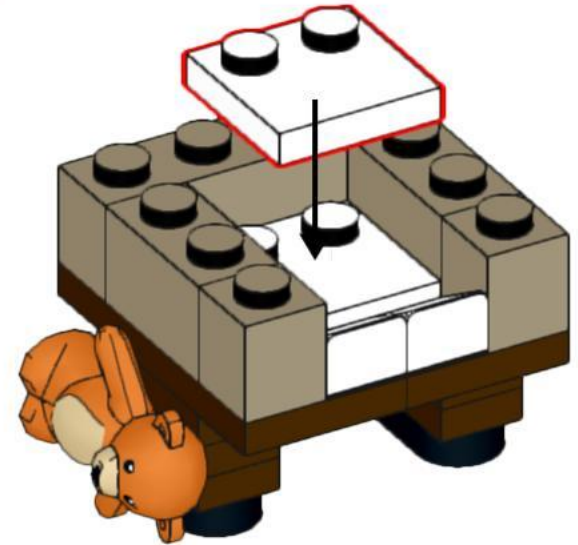
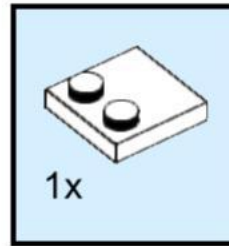
6



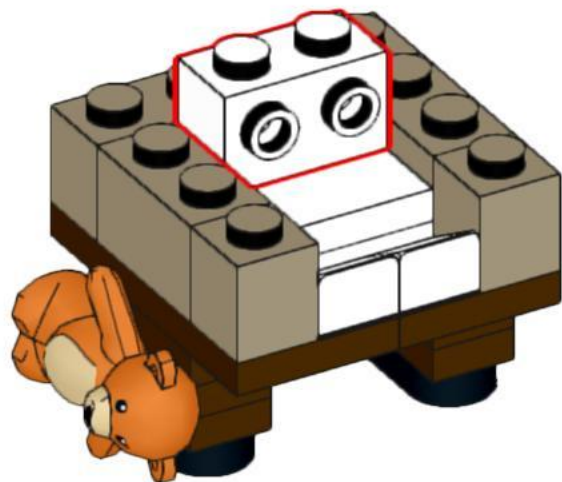
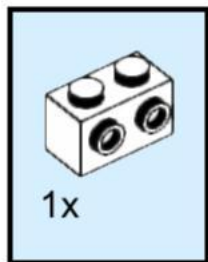
# 7



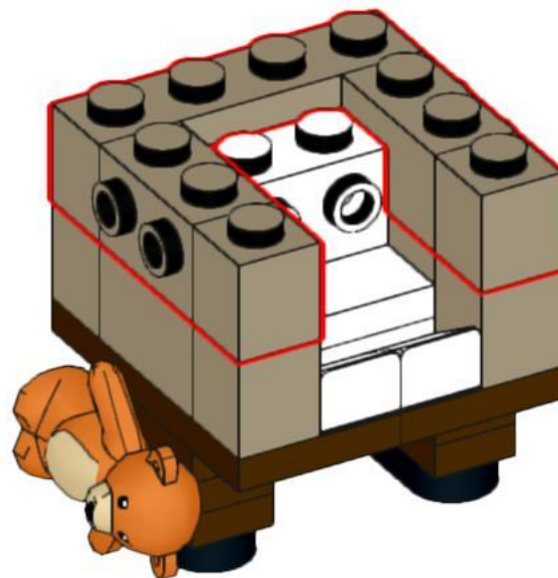
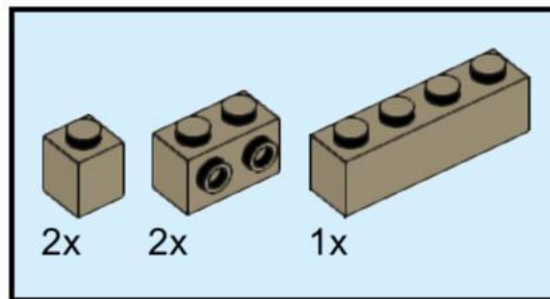
# 8



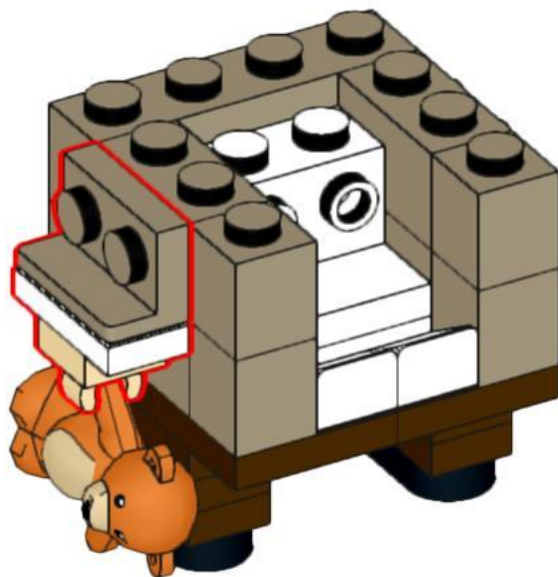
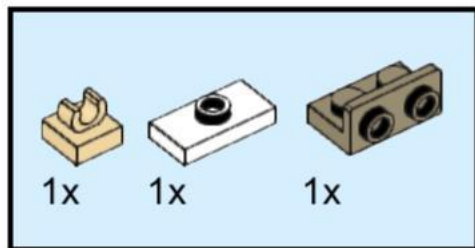
# 9



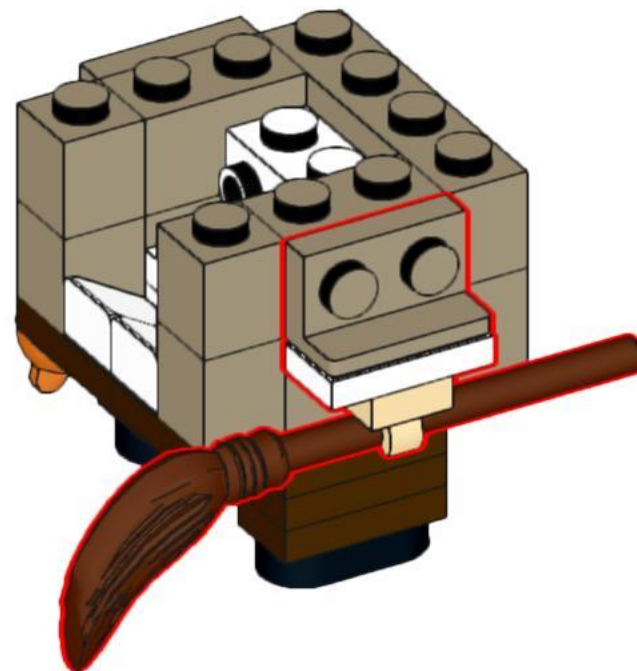
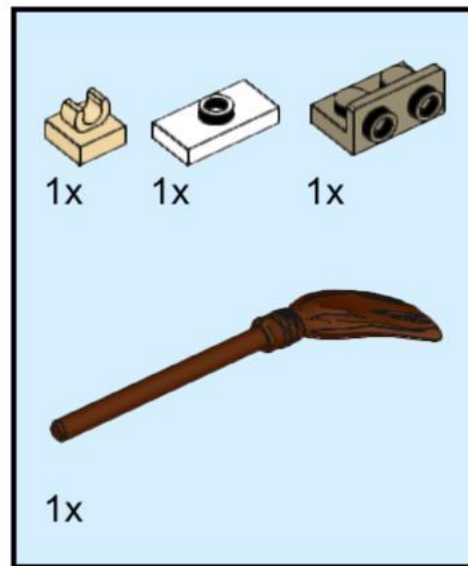
# 10



# 11

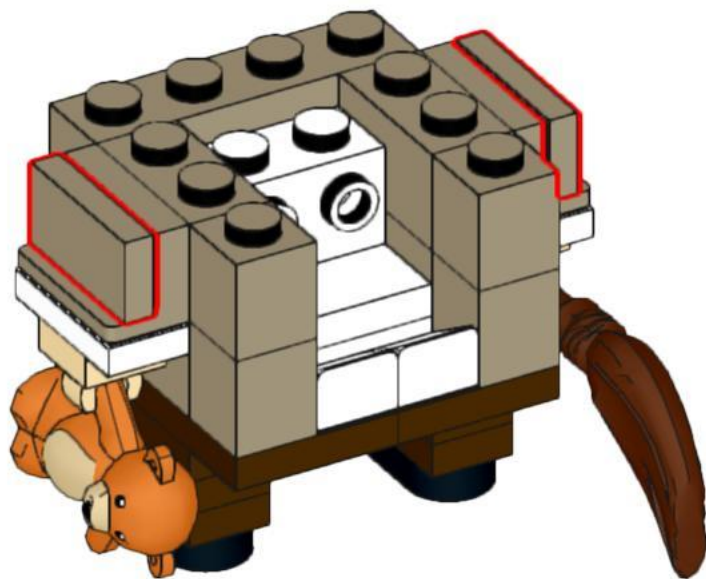
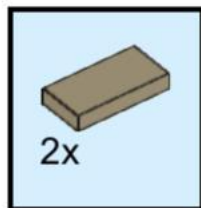


# 12

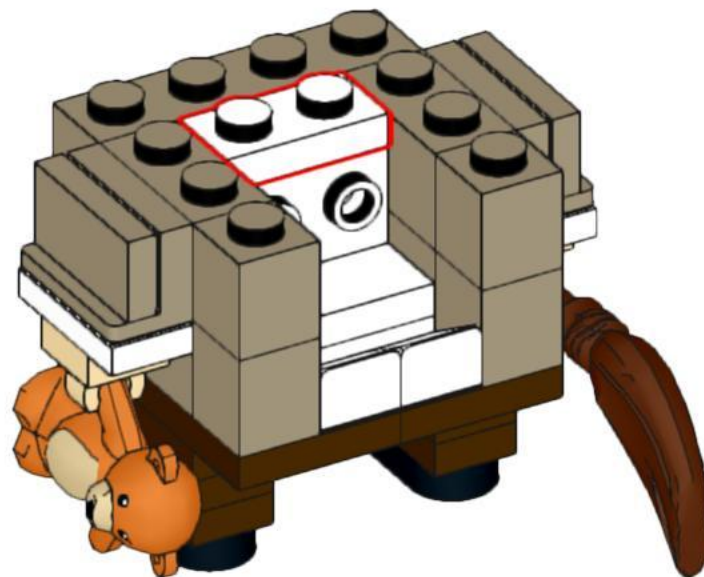
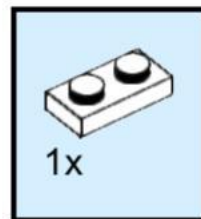




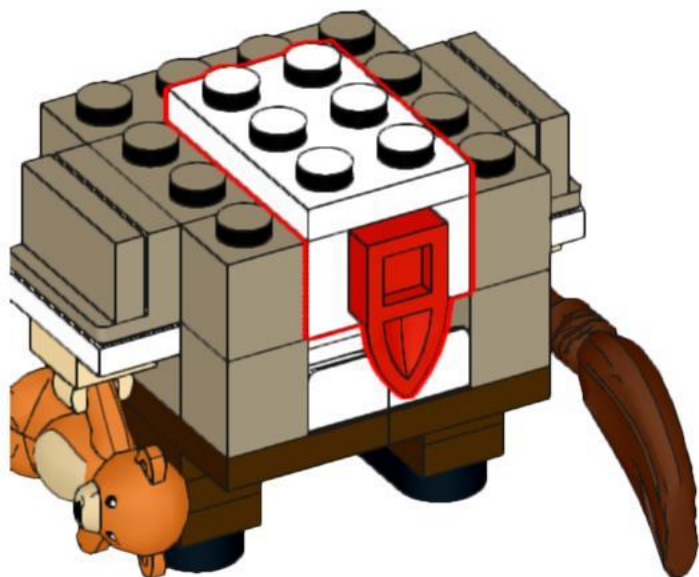
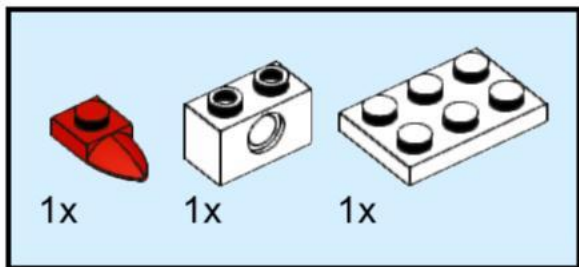
# 13



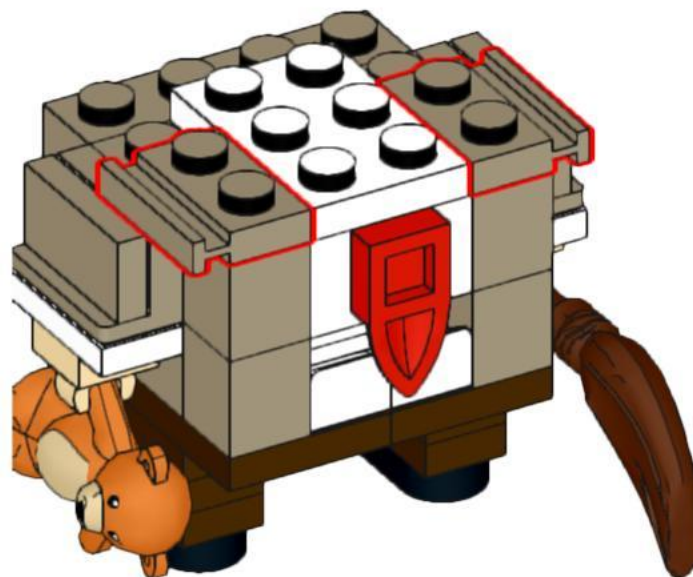
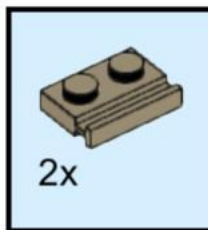
# 14



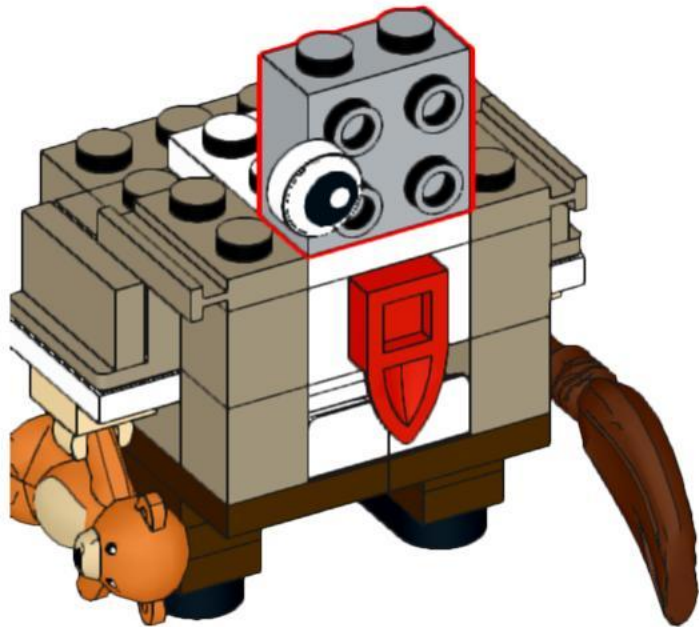
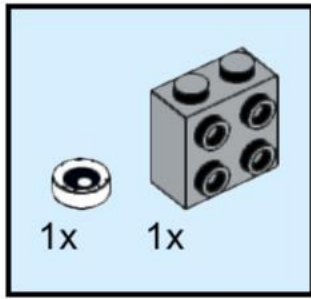
# 15



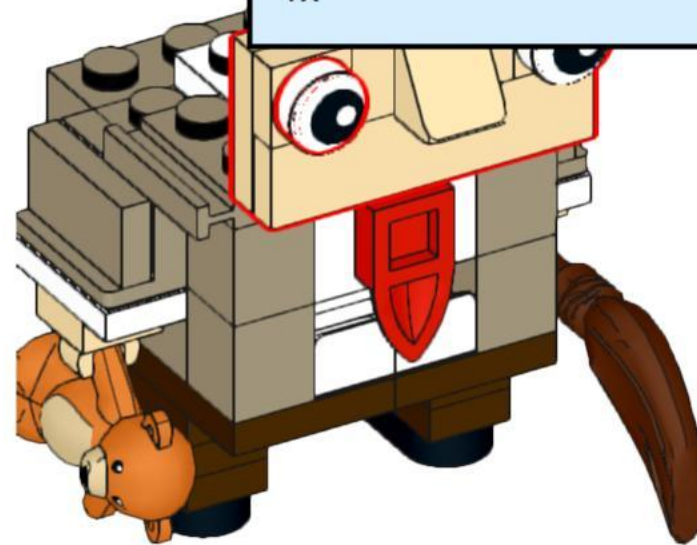
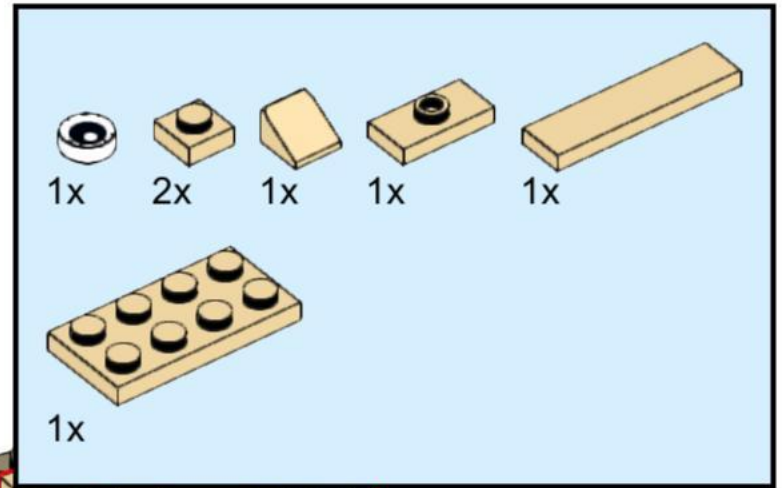
# 16



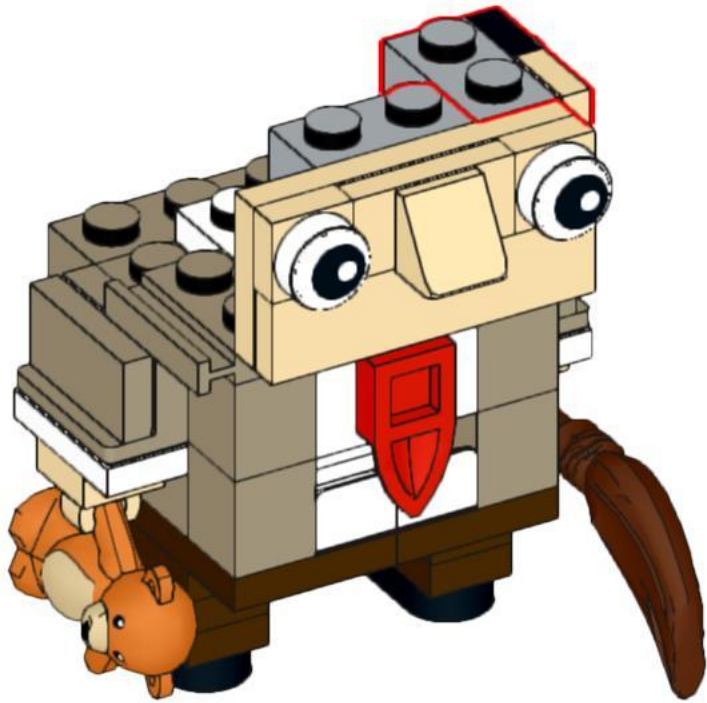
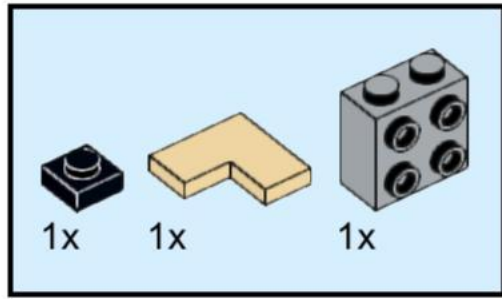
# 17



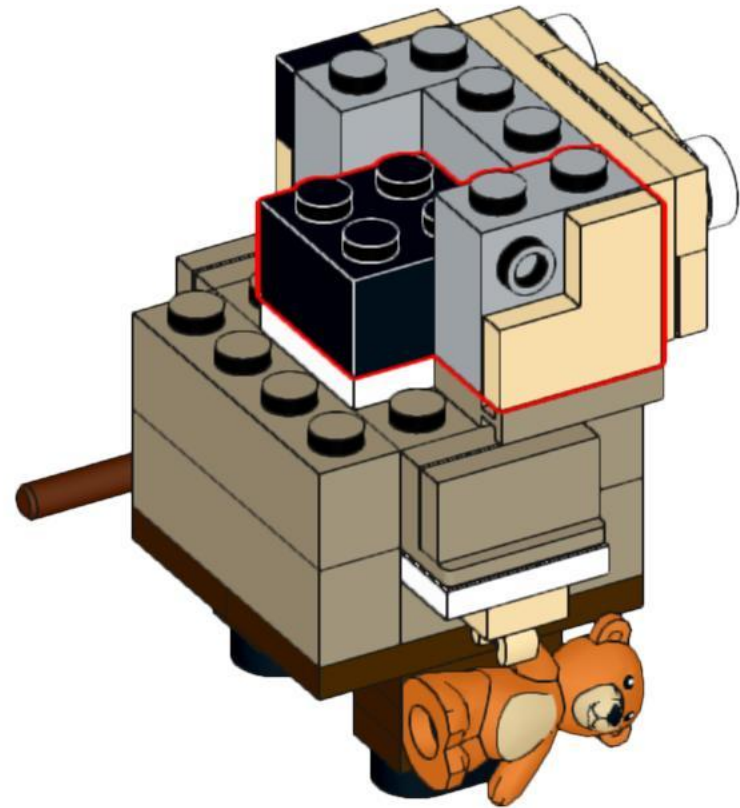
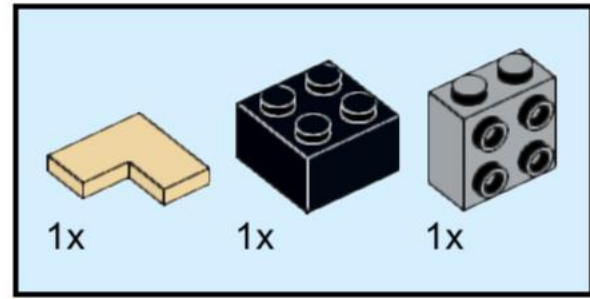
# 18



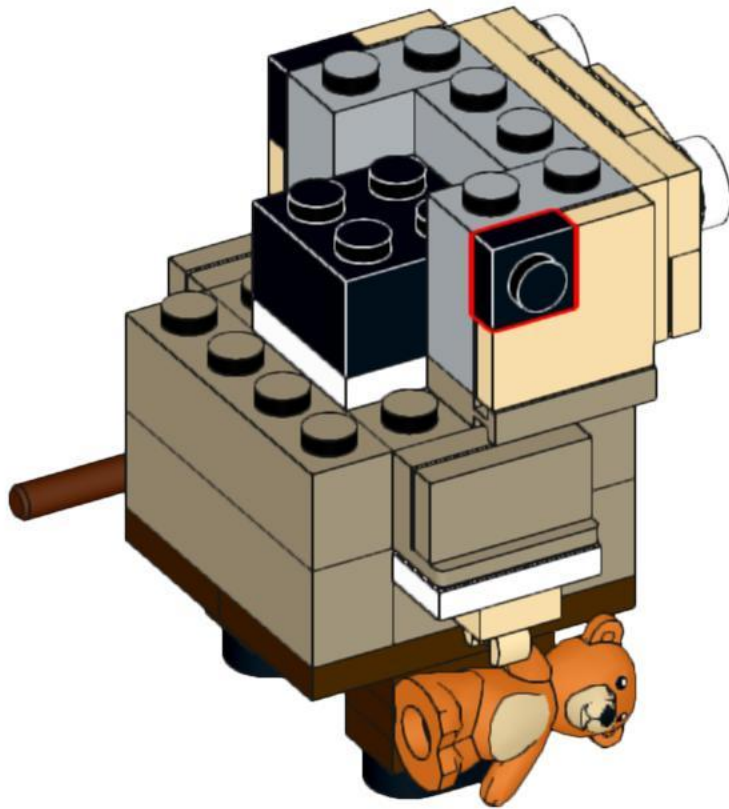
# 19



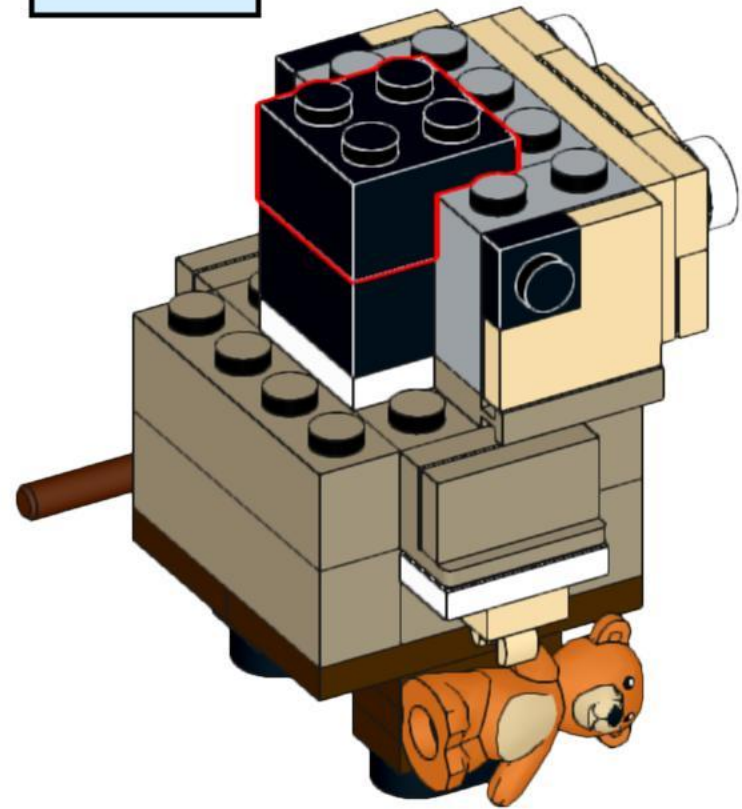
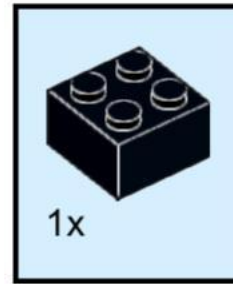
# 20



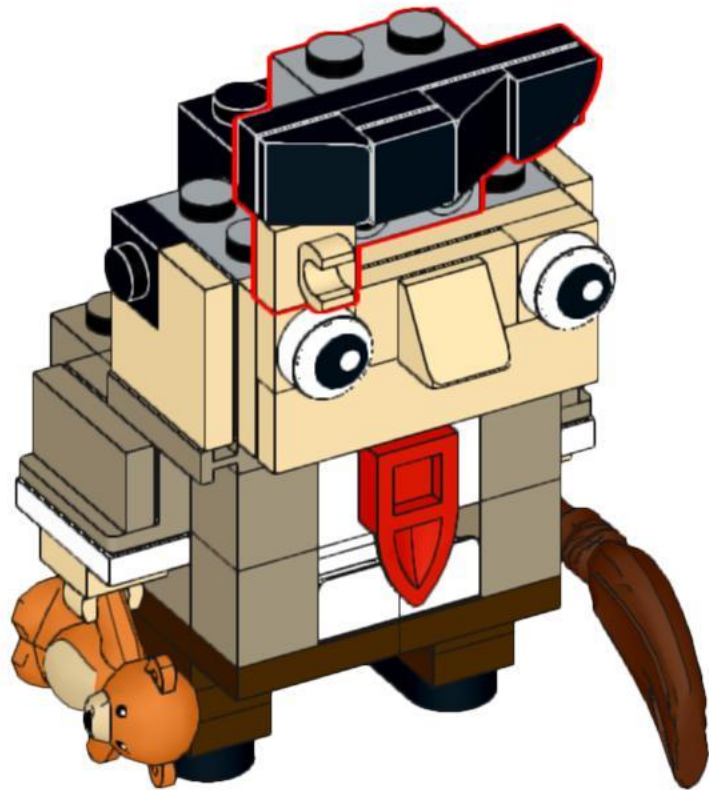
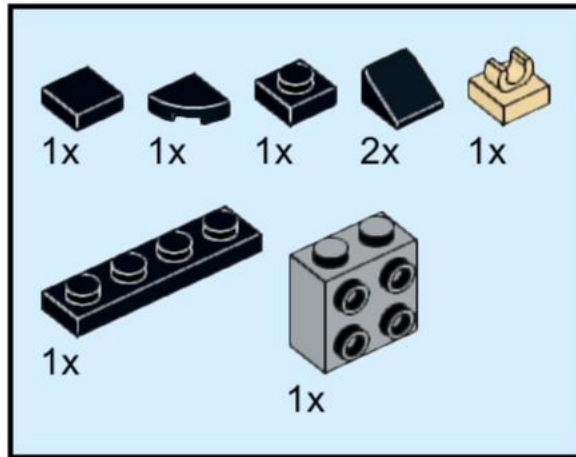
# 21



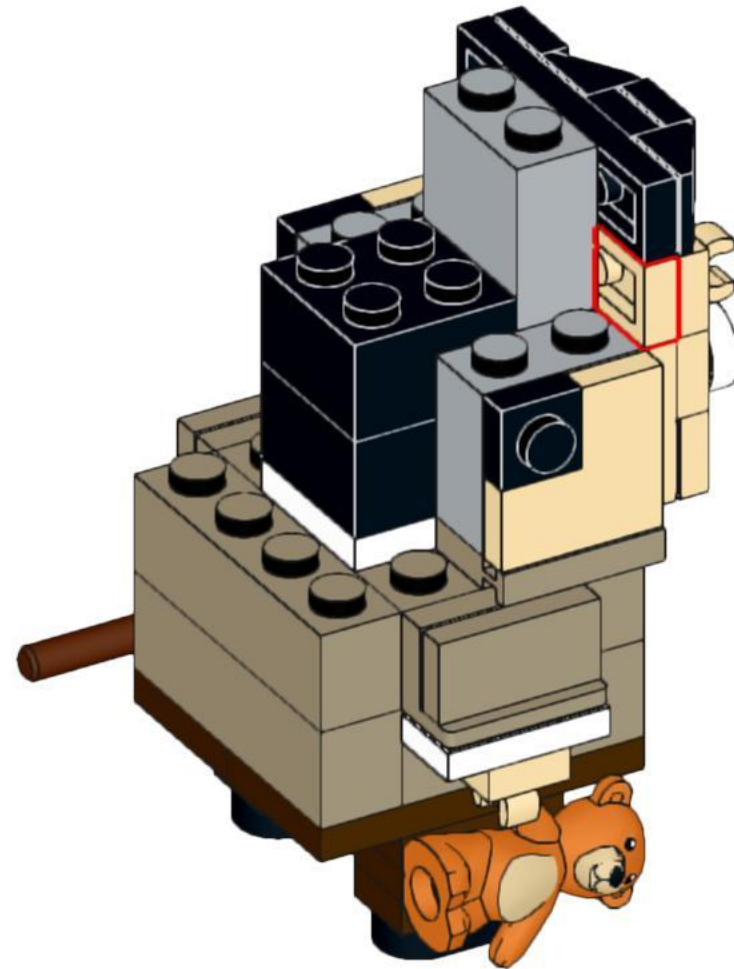
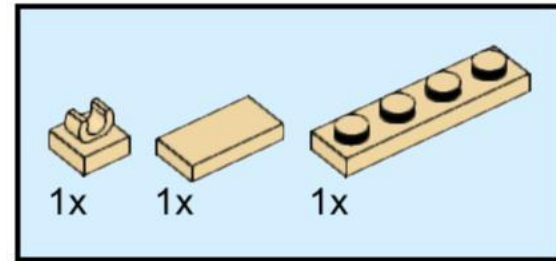
# 22



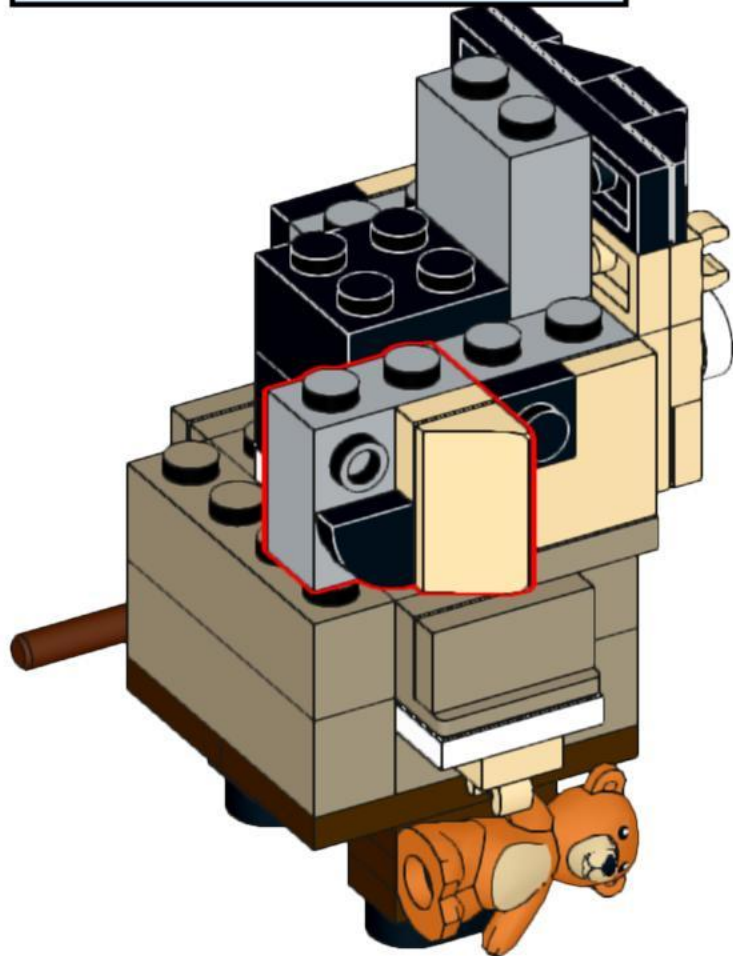
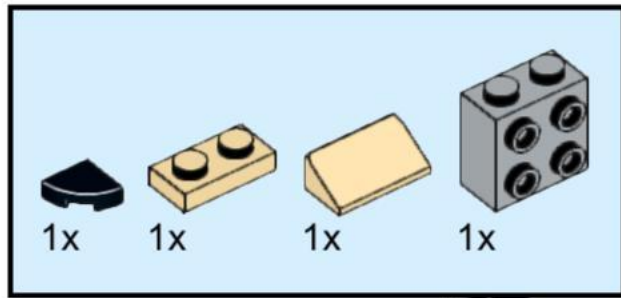
# 23



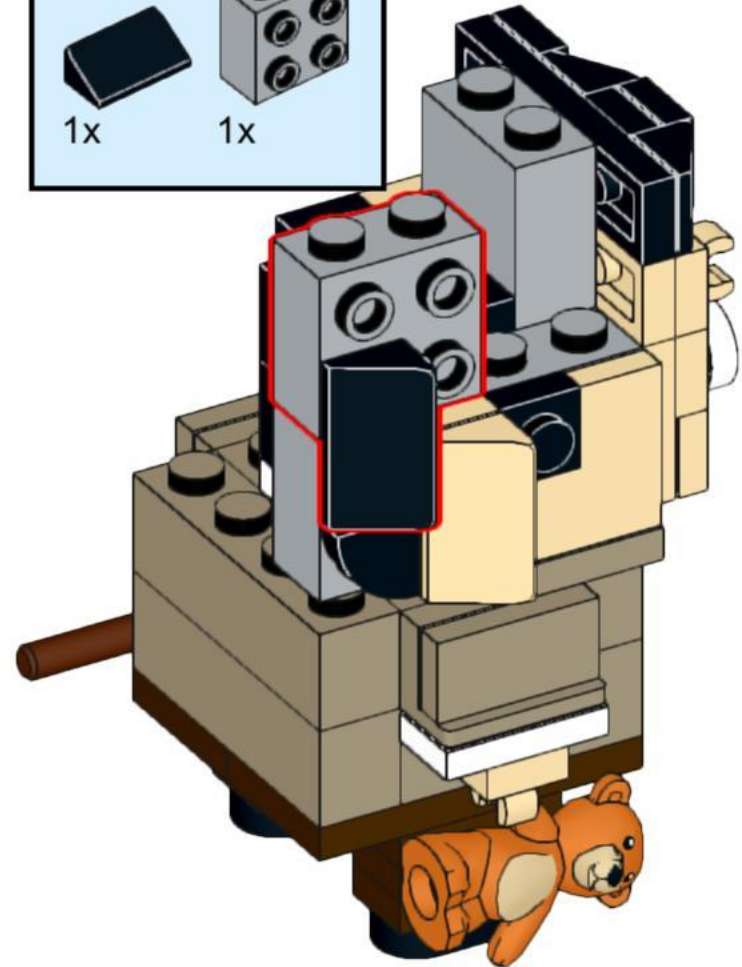
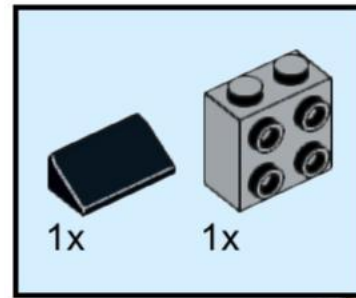
# 24



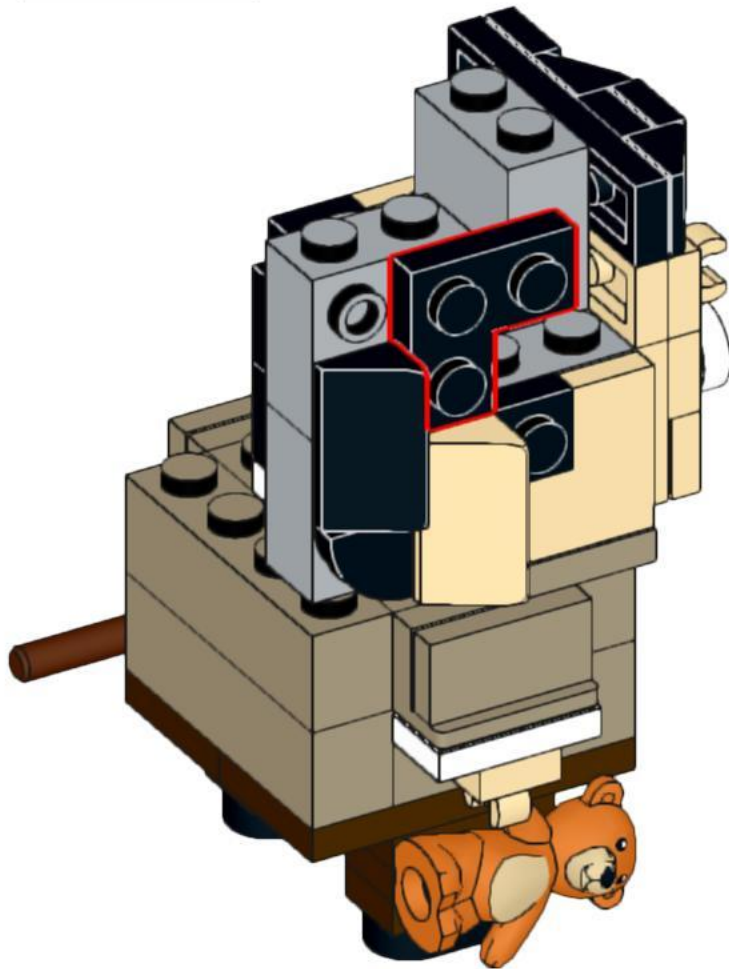
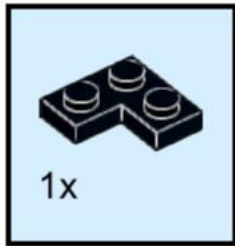
# 25



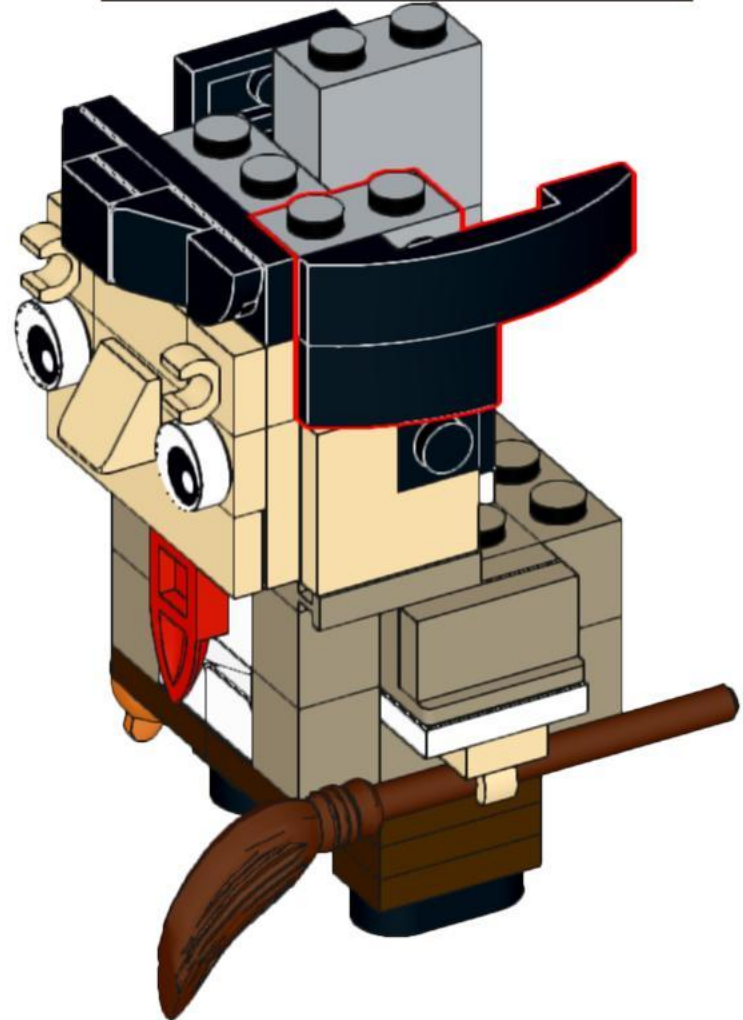
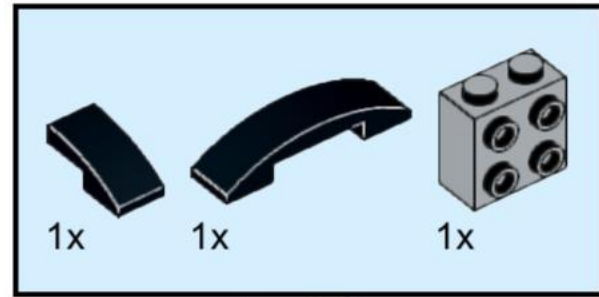
# 26



# 27

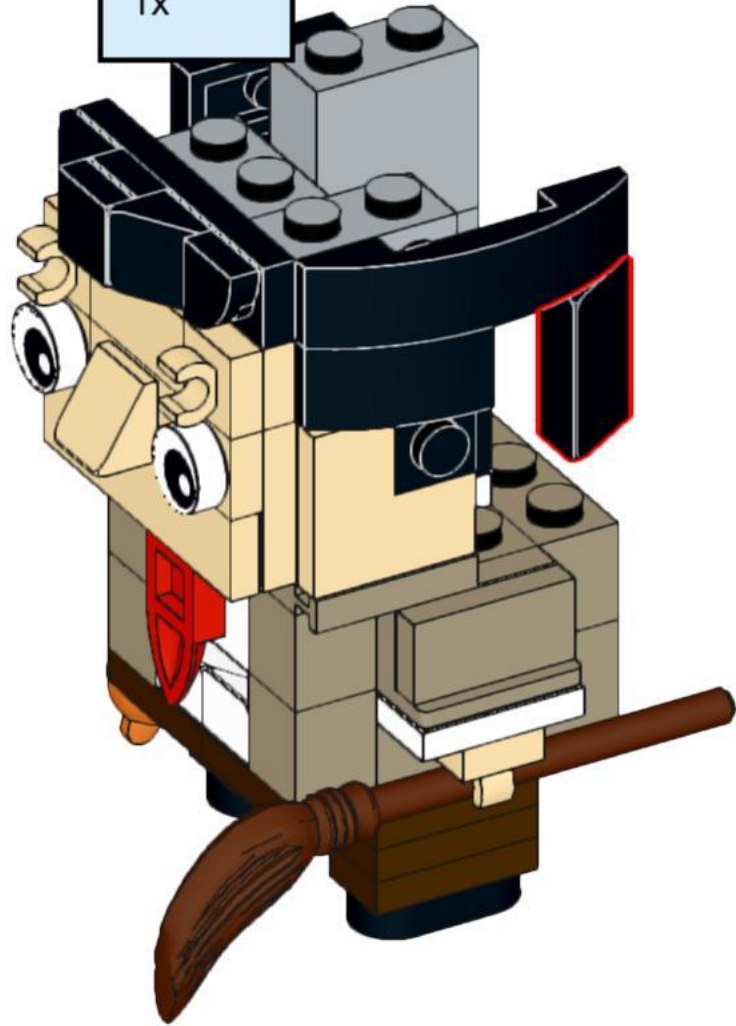
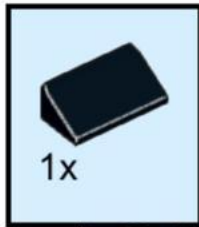


# 28

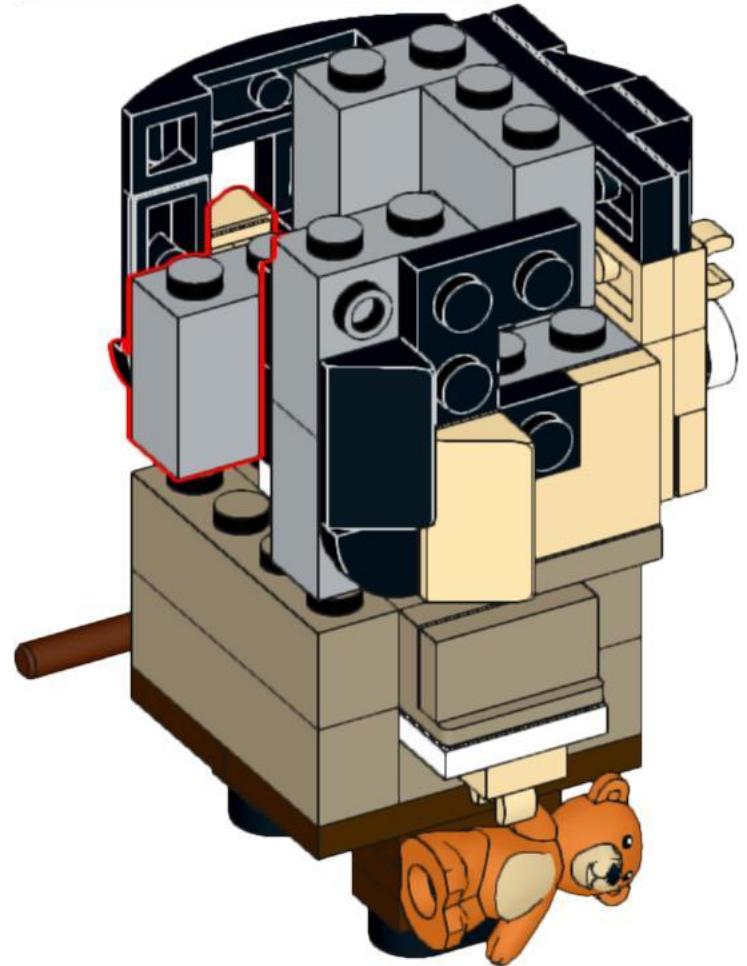
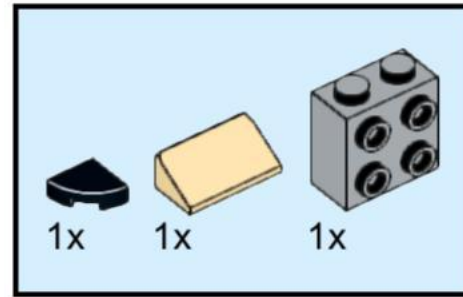




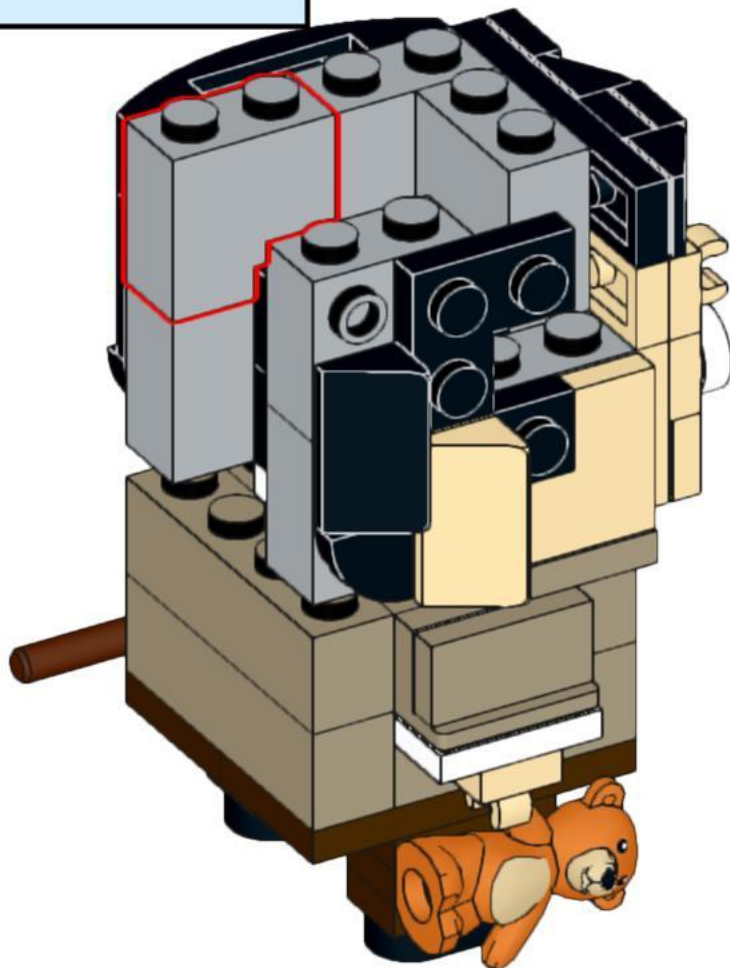
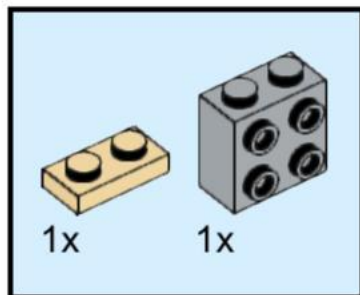
# 29



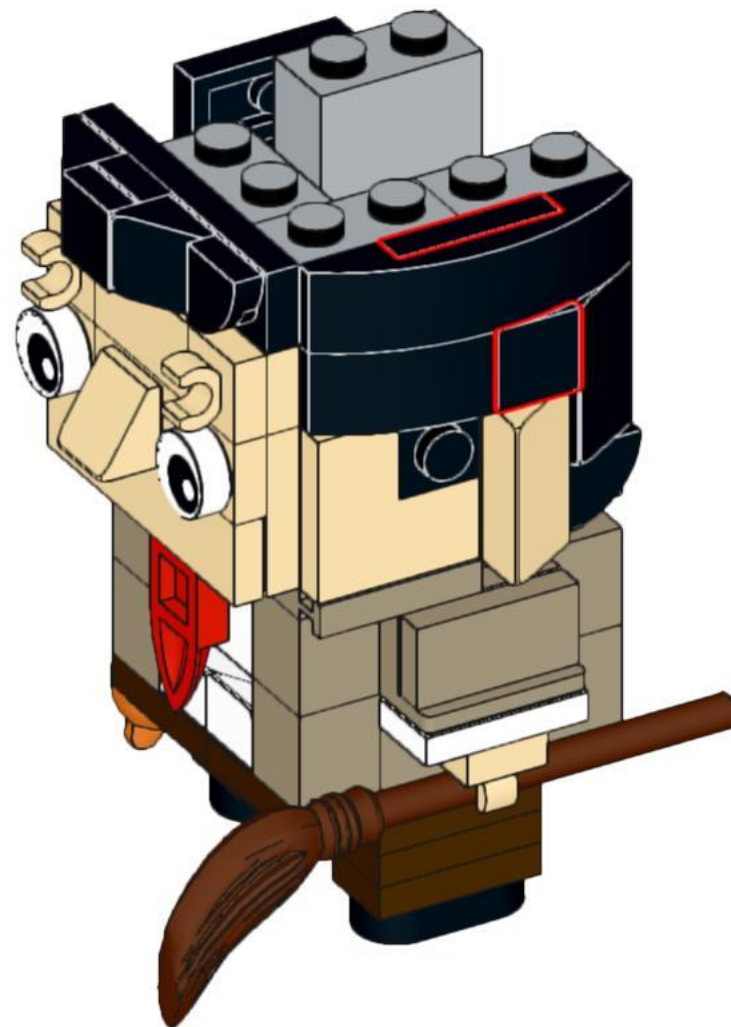
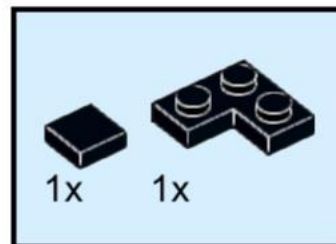
# 30



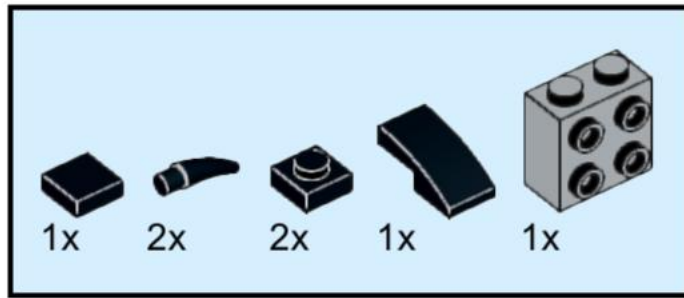
# 31



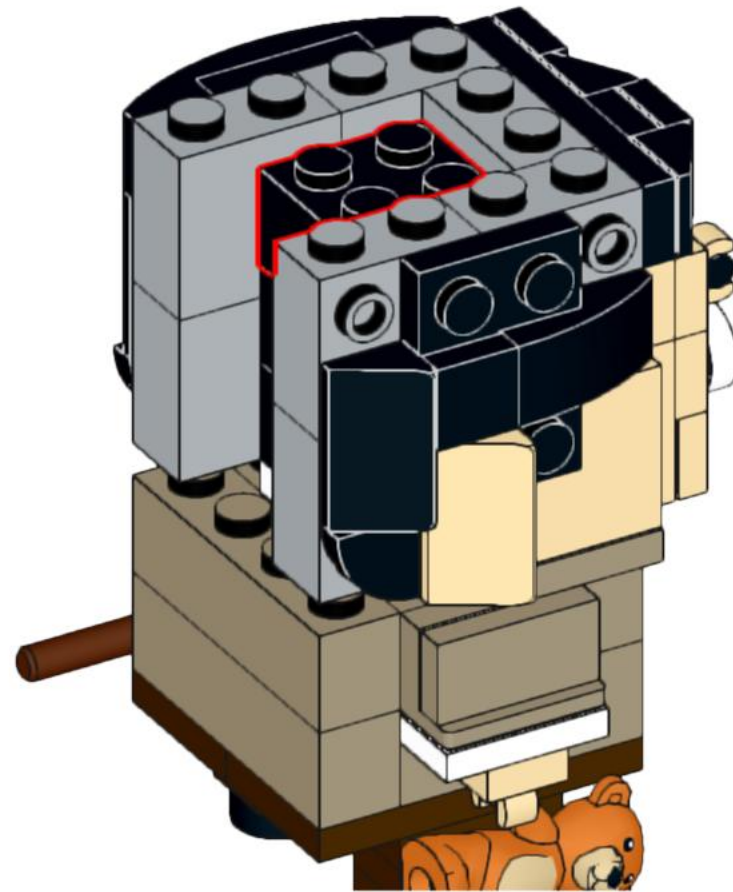
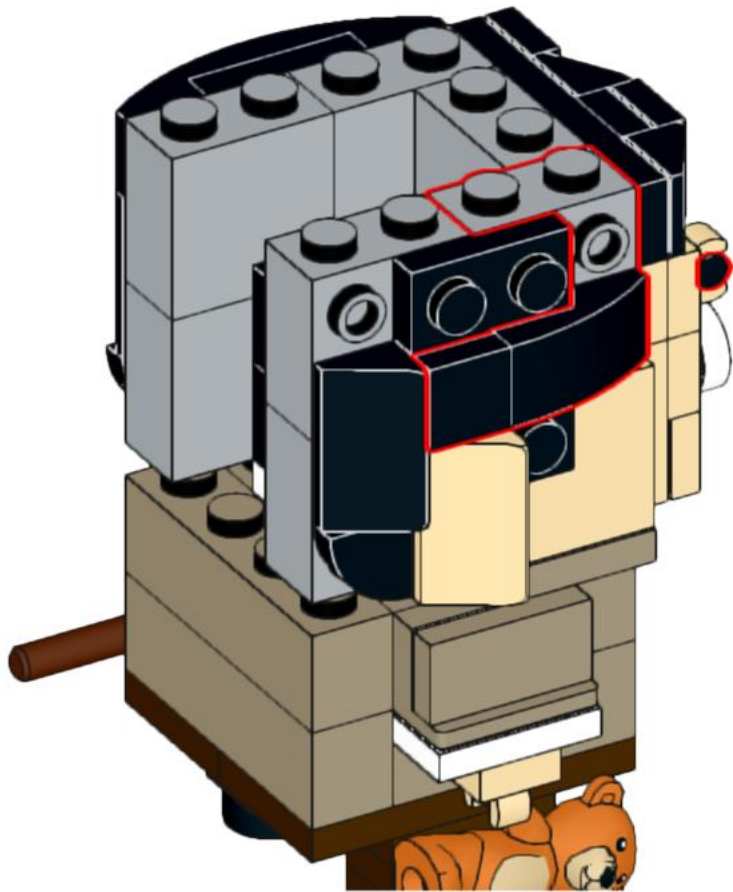
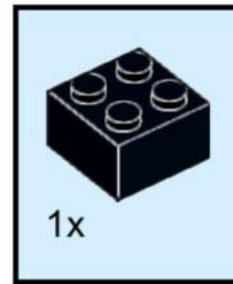
# 32



# 33



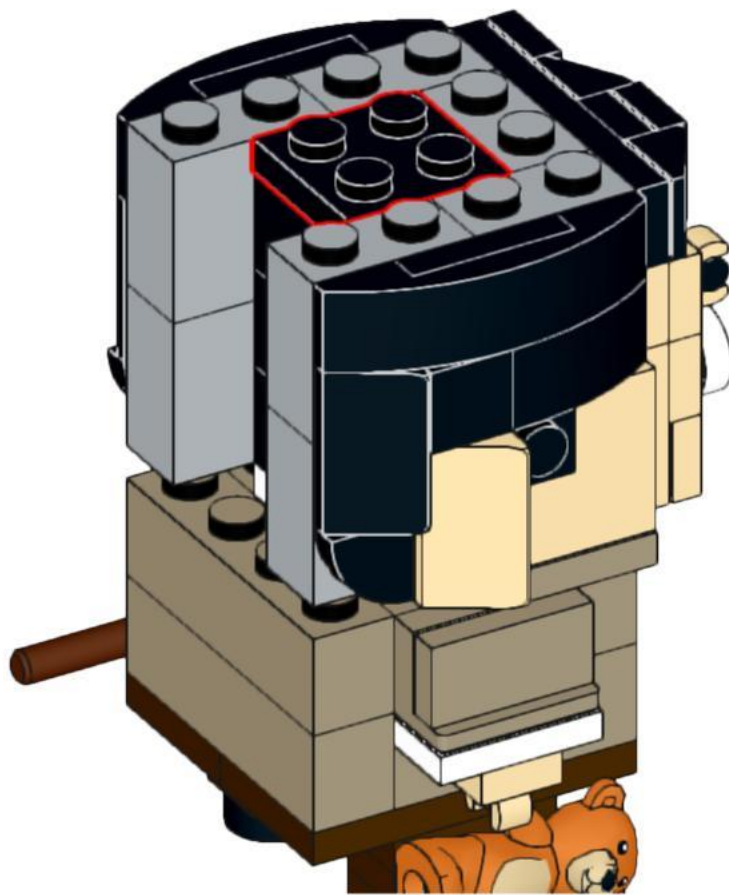
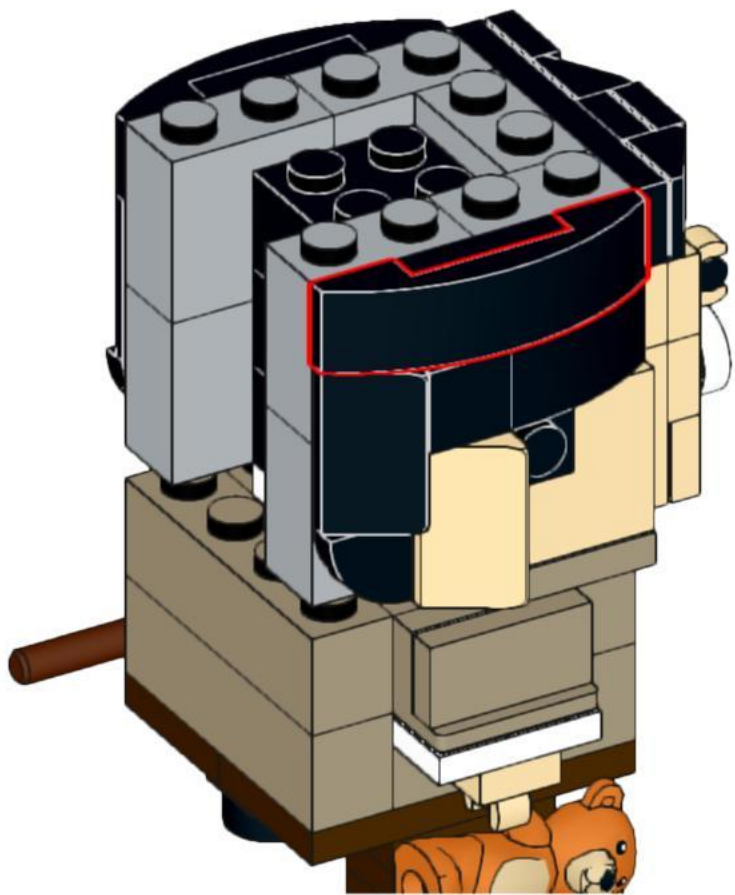
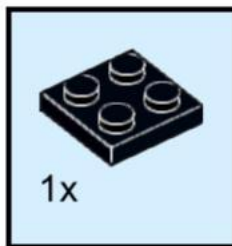
# 34



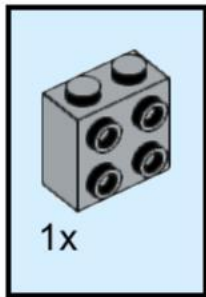
# 35



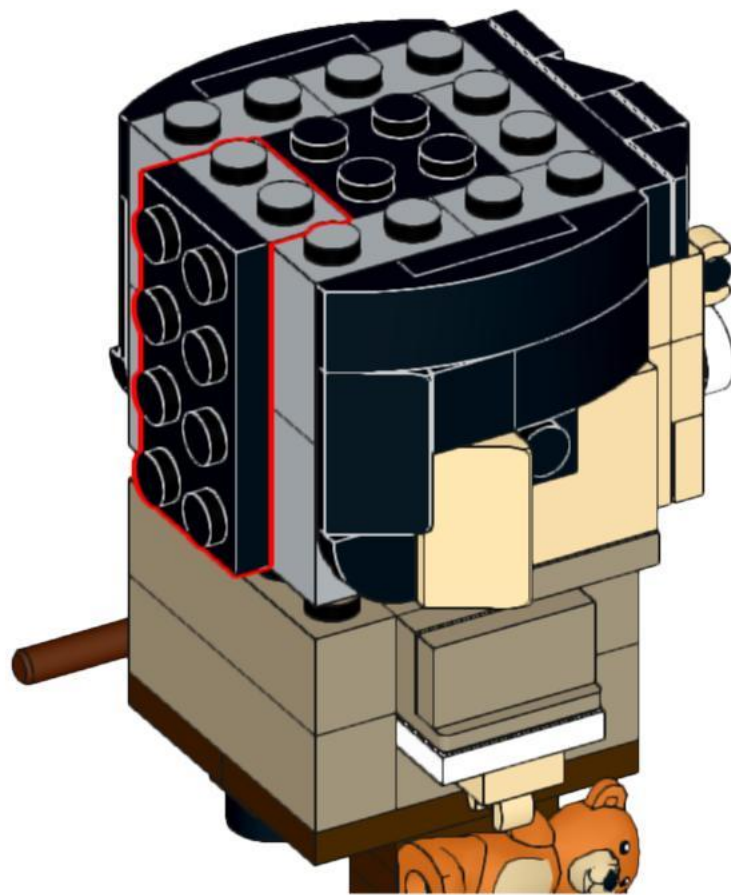
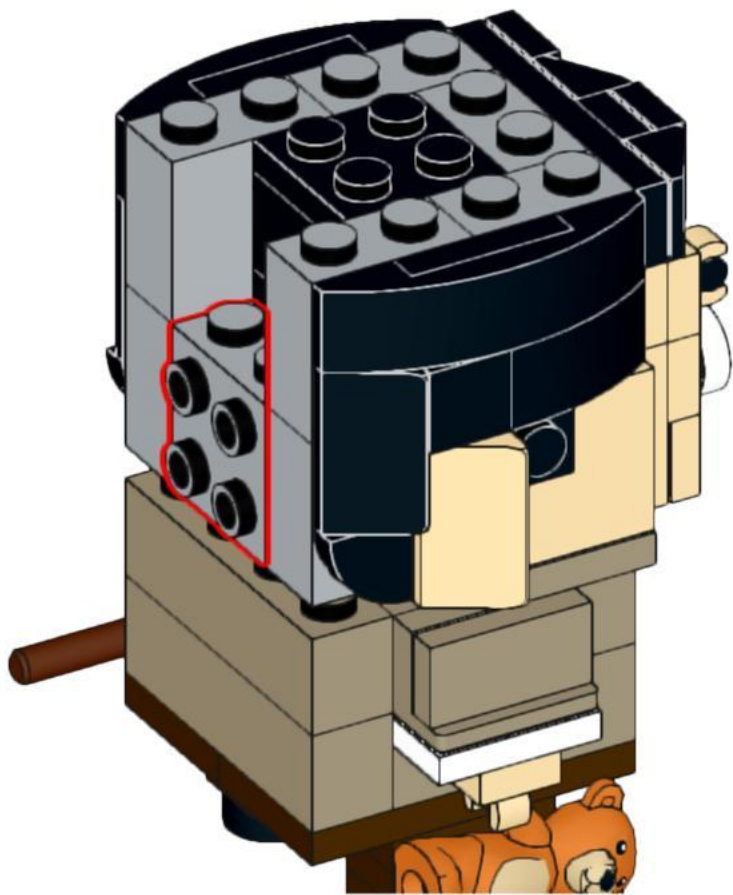
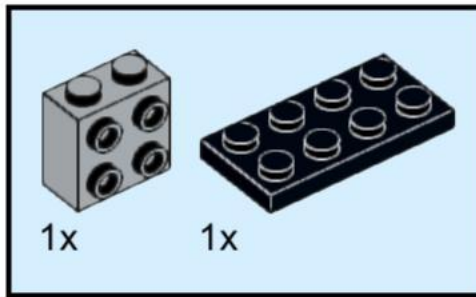
# 36



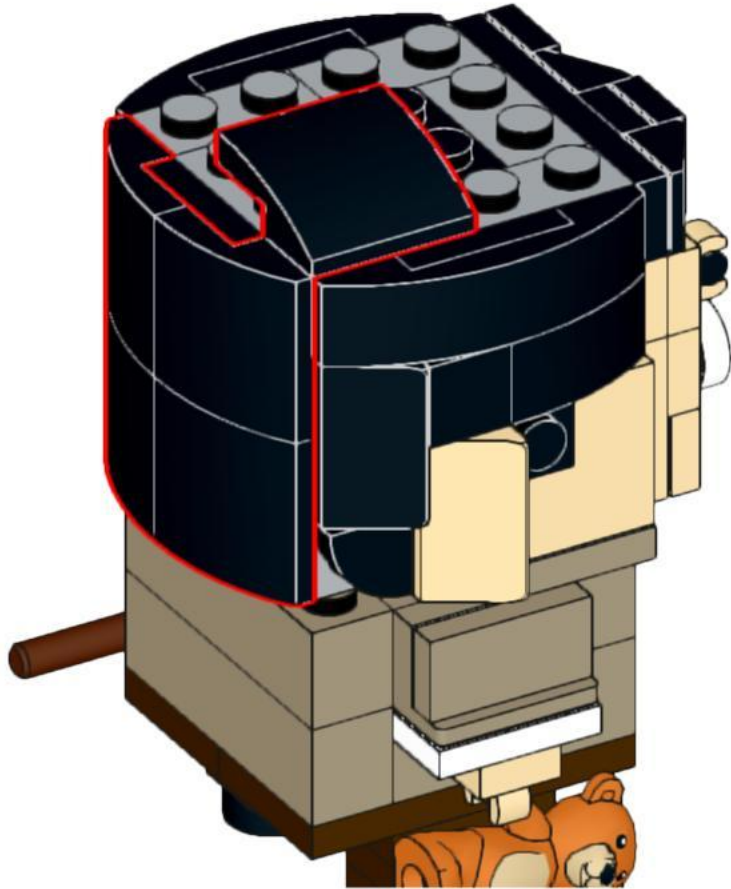
# 37



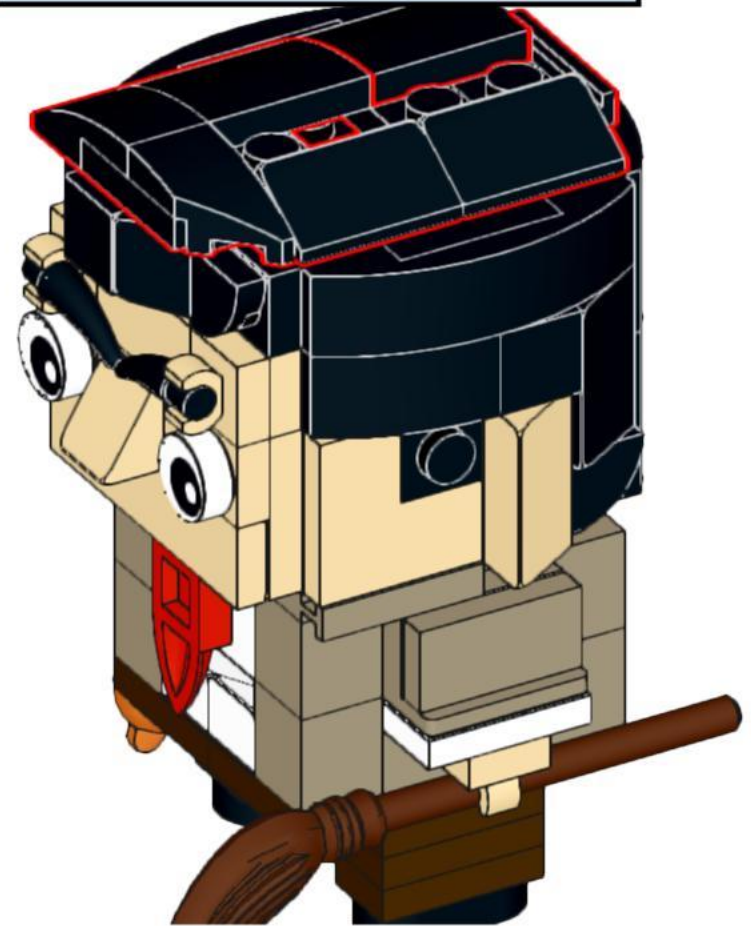
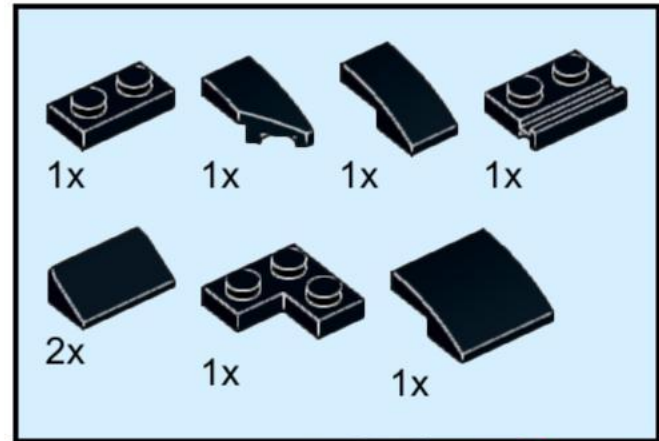
# 38



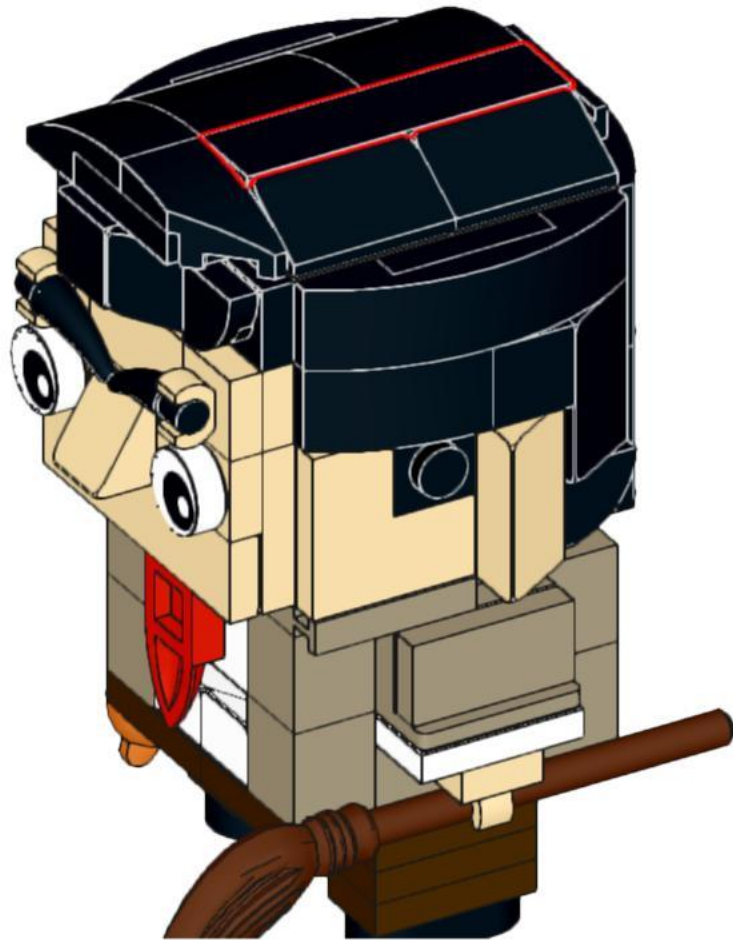
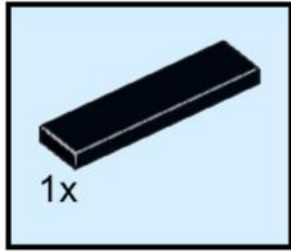
# 39



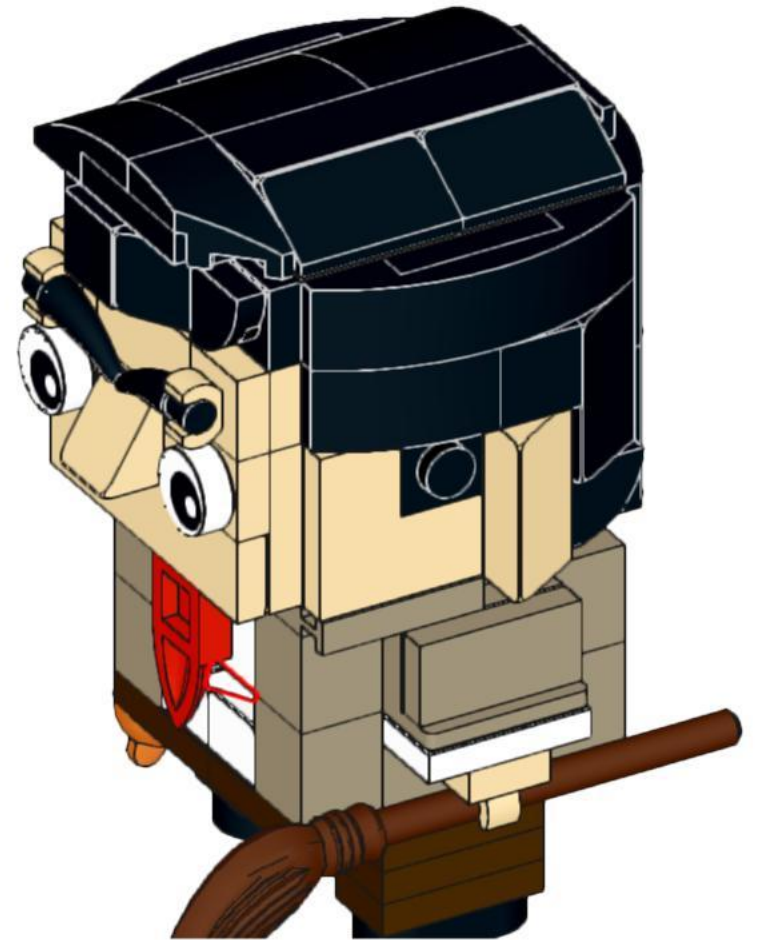
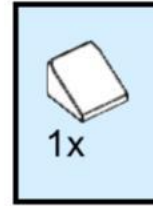
# 40



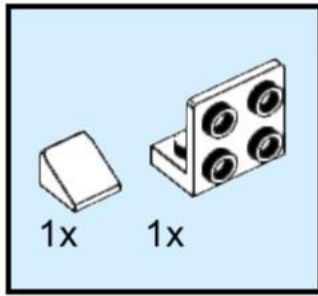
# 41



# 42



# 43





44

